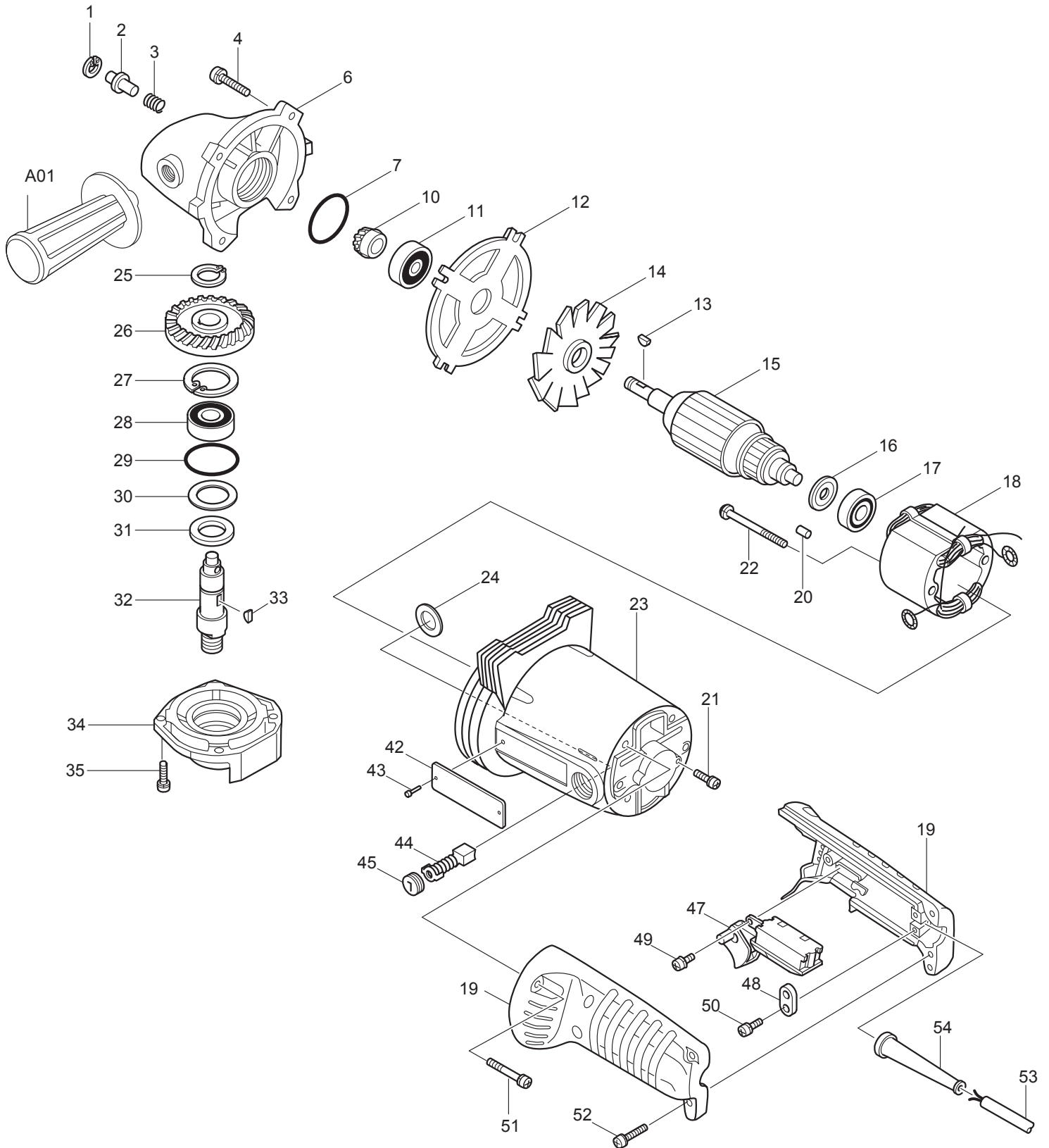




03- 2010
GA7911
7" / 9" SANDER - GRINDER



Item No	Type	Sub	Part No	Description	Qty	Unit
001			962062-5	RETAINING RING R-12	1	PC.
002			256615-3	PIN 6	1	PC.
003			231037-8	COMPRESSION SPRING 7	1	PC.
004			911236-5	PAN HEAD SCREW M5X22	4	PC.
006			156781-5	GEAR HOUSING	1	PC.
		INC.	212063-6	NEEDLE BEARING 1012	1	PC.
		INC.		Item No. 7		
007			213506-1	O RING 36	1	PC.
008			961051-7	RETAINING RING S-11 (OLD)	1	PC.
009			257062-1	RING 11 (OLD)	1	PC.
010			221322-7	SPIRAL BEVEL GEAR 17	1	PC.
011			211111-8	BALL BEARING 6301LLB	1	PC.
012			341706-4	PLATE	1	PC.
013	2		254038-9	WOODRUFF KEY 4	1	PC.
014			241315-8	FAN 100	1	PC.
		INC.		Item No. 14,16,17		
015	2		518180-3	ARMATURE ASS'Y 115V	1	PC.
		INC.		Item No. 14,16,17		
016			213051-6	DUST SEAL 10	1	PC.
017			211068-3	BALL BEARING 6200LB	1	PC.
018	2		521806-8	* FIELD ASS'Y 150V	1	PC.
		INC.	654020-2	* RING TERMINAL	2	PC.
		INC.	654502-4	* CONNECTOR P-2	2	PC.
		INC.	689055-4	* RING TERMINAL RETAINER 15.5	2	PC.
019	2		183E78-9	HANDLE SET	1	SET
020			263002-9	RUBBER PIN 4	1	PC.
021			652014-1	PAN HEAD SCREW M4X8	1	PC.
022			911290-9	PAN HEAD SCREW M5X65	2	PC.
023	2		144061-1	* MOTOR HOUSING COMPLETE	1	PC.
		INC.	421168-3	* TOOL REST	1	PC.
		INC.	643653-8	* BRUSH HOLDER 6.5-13.5	2	PC.
		INC.	913206-0	* SET SCREW M5X8	2	PC.
		INC.		* Item No. 20		
024			681002-1	INSULATION WASHER	2	PC.
025			961057-5	RETAINING RING S-17	1	PC.
026			221323-5	SPIRAL BEVEL GEAR 58	1	PC.
027			962157-4	RETAINING RING R-40	1	PC.
028			211256-2	BALL BEARING 6203LLB	1	PC.
029			213505-3	O RING 40	1	PC.
030			253772-8	FLAT WASHER 28	1	PC.
031			443036-0	FELT RING 25	1	PC.
032			321355-3	SPINDLE	1	PC.
033	2		254038-9	WOODRUFF KEY 4	1	PC.
034			152228-7	BEARING BOX COMPLETE	1	PC.
		INC.		Item No. 29		
035			911226-8	PAN HEAD SCREW M5X18	4	PC.
040			931102-0	HEX NUT M4 (OLD)	3	PC.
042			854287-4	NAME PLATE F/GA7911	1	PC.
043			953106-2	RIVET 0-5	2	PC.
044	2		194986-9	CARBON BRUSH CB-154 2PC/SET W/ ORIGIN	1	SET
	Opt2		194987-7	A.C. CARBON BRUSH CB-155 2PC/SET (W/ ORIGIN)	1	SET
045			643650-4	BRUSH HOLDER CAP 6.5-13.5	2	PC.
047			651128-3	SWITCH (AC/DC) C3D-15AS	1	PC.
048			687000-3	STRAIN RELIEF	1	PC.
049			911113-1	PAN HEAD SCREW M4X10	2	PC.

Item No	Type	Sub	Part No	Description	Qty	Unit
050			911133-5	PAN HEAD SCREW M4X18	2	PC.
051			911238-1	PAN HEAD SCREW M5X22 (OLD# 911243-8)	4	PC.
052			911148-2	PAN HEAD SCREW M4X25	3	PC.
053			664820-2	POWER SUPPLY CORD AWG#14-3-2.5	1	PC.
054			682505-8	CORD GUARD 10-90	1	PC.
100			652014-1	P.H.SCREW M5X16 W/SPRING WASHER	1	PC.
101			654002-4	EYE TERMINAL 1.25-M4	2	PC.
102			654005-8	TERMINAL 2-M4	3	PC.
200			251259-4	P.H.SCREW M5X16 W/SPRING WASHER	2	PC.
201			942101-7	SPRING WASHER 5	1	PC.
202		2	342555-2	WHEEL COVER HOLDER	1	PC.
203			261039-0	URETHANE WASHER 14	3	PC.

ACCESSORIES

- See catalogue or visit www.makita.ca for other optional accessories -

A01			152492-0	GRIP 36 COMPLETE	1	PC.
A02			743012-7	RUBBER PAD F/7" GRINDER-BULK	1	PC.
			192978-2	RUBBER PAD F/7" GRINDER-PACKAGED	1	PC.
A03			193048-0	SANDING LOCK NUT 5/8-48 (F/ABRASIVE DISC)	1	PC.
A04			191214-3	7" WHEEL GUARD ASSY	1	PC.
			191215-1	9" WHEEL GUARD ASSY	1	PC.
A06			224083-8	INNER FLANGE 45 (F/ CUT-OFF WHEEL)	1	PC.
			224111-9	INNER FLANGE 89	1	PC.
A07			792172-2	7" CUT-OFF WHEEL A36(5PC/SET)	1	SET
		2	D-21010	7" CUT-OFF WHEEL A30T	1	PC.
A08			224512-1	LOCK NUT 5/8-45 (F/ CUT-OFF & GRINDING WHEEL)	1	PC.
A09			743207-2	WIRE CUP BRUSH 4-3/8"	1	PC.
A12			782412-6	LOCK NUT WRENCH 28	1	PC.

SERVICE CHANGES

1. Changes on Field Assy & Motor Housing Complete

(TI#B4177)

Item No	Description	Type 1	Type 2
18	Field Ass'Y 150V	524796-4	521806-8
Inc.	Ring Terminal	654020-2	654020-2
Inc.	Connector P-2	654502-4	654502-4
Inc.	Ring Terminal Retainer 15.5	-----	689055-4
23	Motor Housing Complete	156780-7	144061-1
Inc.	Tool Rest	421168-3	421168-3
Inc.	Brush Holder 6.5-13.5	643653-8	643653-8
Inc.	Set Screw M5X8	913206-0	913206-0
Inc.		Item No. 20	Item No. 20

Above parts are completely interchangeable as a set.

SERVICE CHANGES

1. Changes on Field Assy & Motor Housing Complete

(TI#B4177)

Item No	Description	Type 1	Type 2
18	Field Ass'Y 150V	524796-4	521806-8
Inc.	Ring Terminal	654020-2	654020-2
Inc.	Connector P-2	654502-4	654502-4
Inc.	Ring Terminal Retainer 15.5	-----	689055-4
23	Motor Housing Complete	156780-7	144061-1
Inc.	Tool Rest	421168-3	421168-3
Inc.	Brush Holder 6.5-13.5	643653-8	643653-8
Inc.	Set Screw M5X8	913206-0	913206-0
Inc.		Item No. 20	Item No. 20

Above parts are completely interchangeable as a set.